

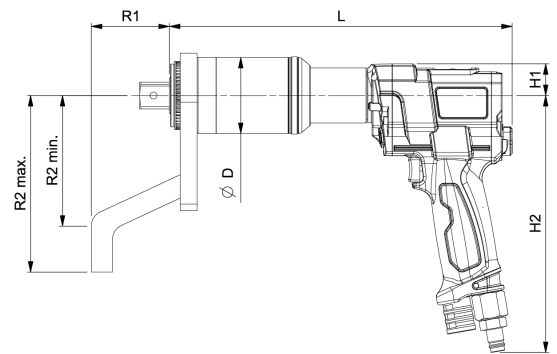
PNEUTORQUE PTS SERIES PNEUMATIC TORQUE WRENCHES

Norbar PTS series are durable, pneumatically operated torque wrenches with one speed and auto two speed models. Their development has focused primarily on the characteristics of the air motor. PTS-series wrenches feature an air motor specifically designed and manufactured for high-torque wrench applications. Combined with Norbar's high-quality torque multiplier manufactured in England, the result is a torque wrench that offers an unmatched price-to-quality ratio.



PTS-72

- | Excellent power-to-weight ratio
- | Extremely lightweight, up to 2.5 kg lighter than previous models in the same category
- | Smooth and even torque output
- | Convenient direction change in tight spaces
- | ±5% repeatability accuracy in the 20-100% torque range
- | Exhaust air directed through the handle for user comfort
- | Externally adjustable torque
- | Extremely durable – non-impact mechanism means no vibration or noise issues
- | Uses the same Norbar torque multiplier as PTM and EvoTorque 2 series, allowing compatibility with the same accessories across all models. Extensive range of available accessories.
- | Extremely quiet – 77 dB(A)
- | Wrenches are delivered with a calibration certificate

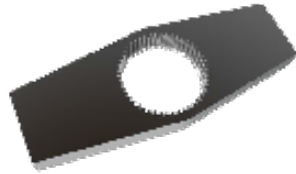


Model	Item	Torque Range Nm	Drive	Dimensions mm							Free Speed rpm	Weight kg	Reaction Arm kg
				ØD	H1	H2	L	R1	R2 min.	R2 max.			
One speed													
PTS-500	180241.B06	100 - 500	3/4"	52	30	243	264	59	71	131	35,5	4,2	0,9
PTS-800	180242.B06	160 - 800	3/4"	52	30	243	264	59	71	131	25,7	4,2	0,9
PTS-1000	180243.B06	200 - 1 000	3/4"	72	30	243	292	76	124	167	20,4	6,2	1,4
PTS-1350	180244.B08	270 - 1 350	1"	72	30	243	292	76	124	167	14,7	6,2	1,4
PTS-2000	181454	400 - 2 000	1"	68	30	243	285	74	120	165	9,2	5,4	1,1
PTS-2700	180246.B08	540 - 2 700	1"	80	30	243	291	76	124	167	7,3	6,2	1,4
PTS-4000	180250.B08	800 - 4 000	1"	92	30	243	343	70	125	175	5,3	8,6	2,5
PTS-4000	180250.B12	800 - 4 000	1 1/2"	92	30	243	343	70	125	175	5,3	8,6	2,5
PTS-6000	180248.B12	1 200 - 6 000	1 1/2"	119	30	243	369	90	162	210	2,6	12,5	3,8
PTS-7000	180249.B12	1 400 - 7 000	1 1/2"	119	30	243	369	90	162	210	2,6	12,5	3,8
Auto two speed													
PTS-1000	180781	200 - 1 000	3/4"	72	30	243	310	74	124	167	100	6,28	1,4
PTS-1350	180782	270 - 1 350	1"	72	30	243	310	74	124	167	75	6,28	1,4
PTS-2700	180784	540 - 2 700	1"	80	30	243	327	74	124	167	30	7,45	1,4
PTS-4000	180785	800 - 4 000	1"	92	30	243	374	75	125	175	22	8,89	2,5
PTS-7000	180788	1 400 - 7 000	1 1/2"	119	30	243	406	90	160	210	13	12,8	3,9

REACTION ARMS



1



2



3



4



5



6



7



8



9



10



11



12



13



14



15

No.	Reaction arm	Compatible series
1	Splined Reaction	52 / 68 / 72 / 80 / 92 / 119
2	Double-Sided Reaction Plate	52 / 68 / 72 / 80 / 92 / 119
3	Straight Reaction Plate	52 / 68 / 72 / 80 / 92 / 119
4	Double-Sided Straight Reaction Plate	52 / 68 / 72 / 80 / 92 / 119
5	Long Straight Reaction Plate	52 / 68 / 72 / 80 / 92 / 119
6	Light-Weight Reaction	72
7	Sliding Spigot Reaction Plate	68
8	Sliding Reaction	52 / 68 / 72 / 80 / 92 / 119
9	Pegged Reaction Plate for rail	52 / 72
10	Reaction Adaptor	52 / 72
11	Straight Reaction With Peg	52 / 72
12	Short Reaction Foot	52 / 72
13	Straight Reaction	52 / 72
14	Sliding Reaction Spigot	52 / 72
15	Reaction Weld Ring	52 / 68 / 72 / 80 / 92 / 119