

# TEKKOR SERIES HIGH TORQUE ACCURACY CORDLESS NUTRUNNERS AND IMPULSE TOOLS

Excellent ergonomics and an outstanding power-to-weight ratio make Tekkor cordless screwdrivers and impulse tools an excellent choice for any application. Unlike traditional impact wrenches, the Tekkor cordless impulse wrench, thanks to its hydraulic impulse system, is vibration-free and virtually silent. The adjustable torque clutch ensures high repeatability accuracy.

## FEATURES AND BENEFITS:

- | Preset torque clutch for high repeatability
- | Maintenance-free and efficient brushless electric motor
- | Audible and visual indicators (OK/NOK) to confirm successful tightening
- | Programmable speed, two-speed operation, and trigger function
- | Soft start function
- | Battery voltage monitoring – to ensure proper operation, the tool locks when the voltage drops too low
- | Low noise level below 75 dB(A)
- | Vibration level below 2.5 m/s<sup>2</sup>
- | A wide range of models and sizes ensures that there is an optimal screwdriver for every application



# TEKKOR

## PISTOL-GRIP CORDLESS SCREWDRIVERS

Balanced and ergonomic pistol models are simultaneously easy to use and highly precise. Four different model sizes cover a torque range of 0.8 – 12 Nm. The drivers feature a quick-locking chuck.



## ANGLE-HEAD CORDLESS SCREWDRIVERS

Excellent ergonomics and wrench balance, combined with an outstanding power-to-weight ratio, make the Tekkor angle tool an ideal choice for any application. Models cover a torque range of 3 – 90 Nm. The high-precision torque clutch minimizes torque reaction transferred to the user.



Item	Drive	Torque Range Nm*	Lenght mm	Weight kg	Free Speed rpm
<b>Pistol Models</b>					
TKR-P3Q	1/4" QC	1 - 3	204	1,0	500 - 1 550
TKR-P6Q	1/4" QC	1 - 6	204	1,0	300 - 1 000
TKR-P9Q	1/4" QC	2 - 9	204	1,0	300 - 800
TKR-P12Q	1/4" QC	2 - 12	204	1,0	250 - 600
<b>Long Angle Models</b>					
TKR-K12Q	1/4" QC	3 - 12	483	1,5	400 - 1 000
TKR-K124	1/4" SQ	3 - 12	483	1,5	400 - 1 000
TKR-K126	3/8" SQ	3 - 12	483	1,5	400 - 1 000
TKR-K18Q	1/4" QC	5 - 18	483	1,5	300 - 600
TKR-K164	1/4" SQ	5 - 18	483	1,5	300 - 600
TKR-K166	3/8" SQ	5 - 18	483	1,5	300 - 600
TKR-K306	3/8" SQ	8 - 30	488	1,6	250 - 480
TKR-K356	3/8" SQ	10 - 35	488	1,6	200 - 330
TKR-K506	3/8" SQ	22 - 50	579	2,0	200
TKR-K508	1/2" SQ	22 - 50	579	2,0	200
TKR-K606	3/8" SQ	25 - 60	579	2,0	160
TKR-K608	1/2" SQ	25 - 60	579	2,0	160
TKR-K706	3/8" SQ	30 - 70	593	2,5	170
TKR-K708	1/2" SQ	30 - 70	593	2,5	170
TKR-K908	1/2" SQ	40 - 90	593	2,5	90
<b>Short Angle Models</b>					
TKR-KL07Q	1/4" QC	2 - 7	375	1,5	400 - 800
TKR-KL074	1/4" SQ	2 - 7	375	1,5	400 - 800
TKR-KL076	3/8" SQ	2 - 7	375	1,5	400 - 800
TKR-KL14Q	1/4" QC	4 - 14	375	1,5	200 - 500
TKR-KL144	1/4" SQ	4 - 14	375	1,5	200 - 500
TKR-KL146	3/8" SQ	4 - 14	375	1,5	200 - 500
TKR-KL306	3/8" SQ	8 - 30	450	1,8	200

\*) Haitor offers calibration to one value at -50% discount with the purchase of a new machine (includes traceable calibration certificate).

# TEKKOR

## IMPULSE GUN






Tekkor's cordless impulse wrenches combine the precision of a torque wrench and the benefits of an impact tool into one ergonomically designed package. Thanks to the advantages of a cordless impulse wrench, it is an excellent alternative for many applications. The hydraulic impulse makes the tool quiet and vibration-free, a joy for every operator to use.

- | Torque can be adjusted according to the application and joint type to achieve the best possible result.
- | Torque can be locked to a desired value, eliminating accidental torque changes.
- | Minimal effect of oil temperature on torque accuracy.
- | Reversing switch that can be programmed to a tightening position.
- | Trigger can be programmed with a delay to avoid double activations.
- | Audible and visual indication of successful tightening (OK/NOK).
- | Powerful and advanced brushless electric motor.
- | Automatic shut-off adjustment according to joint type: 1-10 hard, 11-20 medium and 20-30 soft.



SHUT-OFF POINT

### LED LIGHTS

-  REVERSE
-  OK
-  NOK
-  LOW BATTERY WARNING
-  CHANGE BATTERY

Item	Drive	Torque range hard joint (Nm)	Torque range soft joint (Nm)	Length (mm)	Weight (kg)	Free speed (rpm)
TKR-AI18-17Q	1/4" QC	10 - 17	7 - 12	188	1,3	3 800
TKR-AI18-226	3/8" SQ	12 - 22	8 - 15	185	1,2	3 800
TKR-AI18-26Q	1/4" QC	13 - 26	9 - 18	188	1,3	3 800
TKR-AI18-256	3/8" SQ	14 - 28	10 - 20	185	1,2	3 800
TKR-AI18-28Q	1/4" QC	18 - 28	13 - 20	212	1,4	3 800
TKR-AI18-356	3/8" SQ	22 - 35	15 - 25	212	1,4	3 800
TKR-AI18-456	3/8" SQ	27 - 45	19 - 32	212	1,4	3 800
TKR-AI18-606	3/8" SQ	40 - 60	28 - 42	212	1,5	3 800
TKR-AI36-808	1/2" SQ	55 - 80	39 - 56	222	1,6	6 800
TKR-AI36-908	1/2" SQ	65 - 90	46 - 63	240	2,1	6 800
TKR-AI36-1108	1/2" SQ	80 - 110	56 - 77	240	2,1	6 800



# TEKKOR ACCESSORIES

## ACCESSORIES – 20V AND 18V LI-ION BATTERIES AND CHARGER

All Tekkor-series screwdrivers and impulse tools use Li-ion batteries, which are long-lasting and impact-resistant. We recommend 4.0Ah and 5.0Ah batteries for higher torque applications.



## TEKKOR CORDLESS WRENCH PROGRAMMING UNIT

The Tekkor programming unit is used to configure the operation of wrenches. Programmable features include wrench rotation speed, indicator lights and sounds, two-stage trigger function, trigger delay, direction switch function, etc. Additionally, the programming unit allows for reviewing calibration data, serial number, and cycle counter information. The programming unit connects conveniently to the wrench via a USB cable and is powered directly by the wrench's battery.



## BATTERY TOOLS

Accessories	
TKR-18V2.2A	18 V/2.2Ah Li-ion battery
TKR-18V5A	18 V/5Ah Li-ion battery
TKR-36V2.5A	36 V/2.5Ah Li-ion battery
TKR-36V5A	36 V/5Ah Li-ion battery
TKR-AL18V	18V battery charger
TKR-AL36V	36V battery charger
TKR-PROG	Programmer

**OFF SET HEADS**



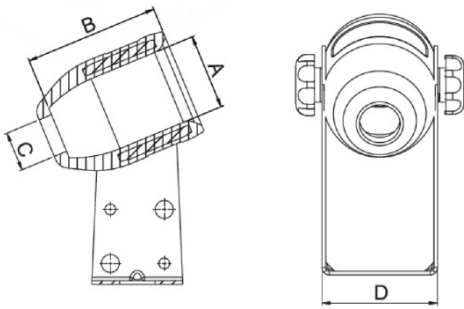
**HOLDERS AND HOLSTERS**

Item	Dimensions mm			
	A Ø	B	C Ø	D
<b>Holsters</b>				
TKR-HOLSTER42	42	75	22	62.3
TKR-HOLSTER47	47	30	26	69.3
TKR-HOLSTER58	58	55	33	80.3
TKR-HOLSTER73	73	45	45	95.3
TKR-HOLSTERBT	Battery side holster			
<b>Holders</b>				
TKR-SUSPENSIONBAIL90	51,3			
TKR-SUSPENSIONBAIL100	55,3			
TKR-SUSPENSIONBAIL130	61,3			
TKR-SUSPENSIONBAIL150	69,3			
TKR-SUSPENSIONBAIL180	70			



TKR-HOLSTERBT

TKR-HOLSTER



TKR-SUSPENSIONBAIL