

## HYTORC LITHIUM II BATTERY TORQUE WRENCHES

The LITHIUM SERIES II Electric Torque Tool is the next revolution in bolting technology redesigned from the ground up with expanded functionality, greater durability, and intuitive usability. This lightweight 36 volt battery powered tool, with capacity up to 10 800 Nm, is the ultimate solution for strength and portability in industrial bolting jobs worldwide. The LITHIUM SERIES II Tool incorporates TorcSense™ Technology which directly measures torque providing more repeatable results. All new features such as the sliding directional switch, snug function, user access levels, advanced bolting, and more further extend the versatility of the tool.



LITHIUM + WASHER



LITHIUM + NUT

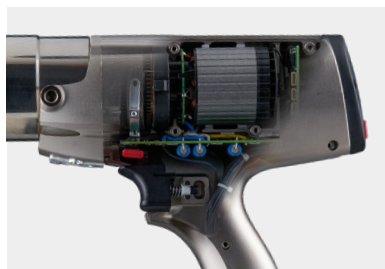
### EXTENDED FEATURES



The LITHIUM II wrench utilizes new TorcSense™ sensor technology, which enhances tool repeatability even further. The largest model reaches up to 10,800 Nm.

The new II-series also includes multiple features to enhance user experience, such as a high-resolution display and programmability via the HYTORC Connect App.

### IMPROVED DURABILITY

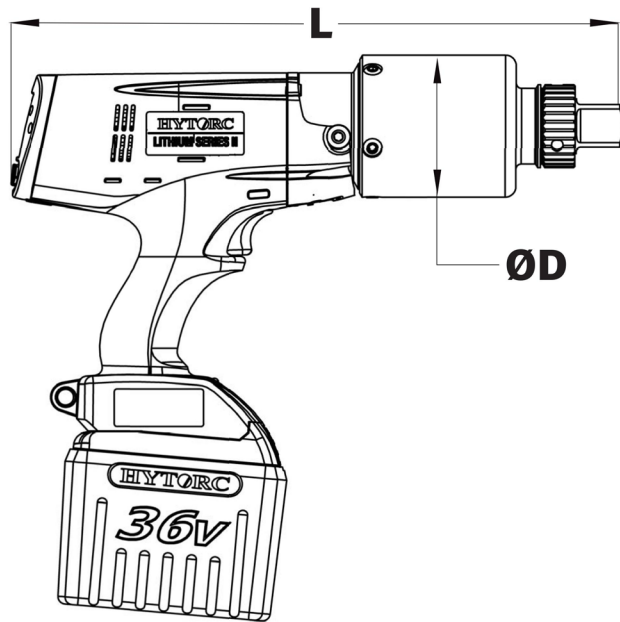
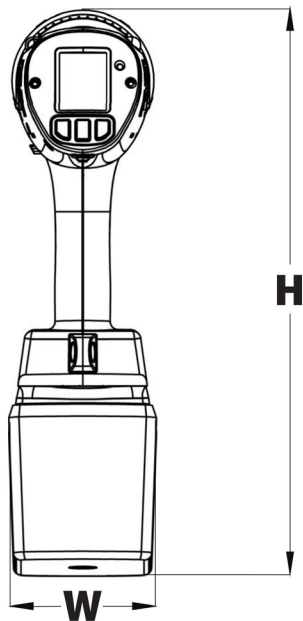


The nickel-plated aluminum housing is more resistant to wear and significantly improves overall tool durability. The new 36V brushless motor has over five times the lifespan compared to its predecessor.

### EASE OF USE



The LITHIUM II interface and menu structure have been redesigned for improved user-friendliness compared to its predecessor. The settings menu allows easy customization of all user preferences. The work light and side handle improve both usability and safety. Wireless Bluetooth technology makes data management and firmware updates easier than ever before.



Item	Operating range (Nm)	Calibrated range (Nm)	Drive	H (mm)	L (mm)	W (mm)	D (mm)	Free speed (rpm)	Weight (kg)**
LST-0250	16 - 339	34 - 339	1/2"	303	251	97	64	180	4,1
LST-0700	47 - 949	203 - 949	3/4"	303	290	97	66	61	5,1
LST-1200	81 - 1 627	271 - 1 627	3/4"	303	297	97	66	40	5,3
LST-2000*	136 - 2 712	441 - 2 712	1"	310	353	97	81	17	7,3
LST-3000*	203 - 4 067	678 - 4 067	1"	313	366	97	86	11	7,8
LST-5000*	271 - 6 779	1 085 - 6 779	1 1/2"	321	391	102	102	7	10,0
LST-8000*	542 - 10 847	1 763 - 10 847	1 1/2"	326	406	112	112	N/A	12,0

\*) Torque Check

\*\*\*) With battery

## DELIVERED LITHIUM II TOOL KIT INCLUDES:

- LITHIUM II wrench
- Reaction arm
- Removable side handle
- Carrying case
- Two 36V batteries
- Battery charging system
- Calibration certificate
- User manual



## ACCESSOIRES

### BATTERY AND PNEUMATIC TORQUE WRENCHES

### REACTION ARMS AND FASTENERS



1



2



3



4



5



6



7



8



9



10

Number	Description
1	Alco arm
2	Square drive type reaction arm
3	Track pad fixture
4	Wheel Gun
5	Extension
6	360° x 360° rotatable reaction arm
7	HYTORC Nut driver
8	Washer driver
9	Welding adapter
10	U-shaped reaction arm



Available with HYTORC Electric Tool  
Power Supply (EPS)