

HG SERIES

SINGLE ACTING HIGH TONNAGE CYLINDERS

- Lifting capacity up to 1,000 tons
- Durable steel construction
- Lifting lugs included as standard
- Cylinders are supplied with a high-flow quick coupler and dust cap
- Maximum working pressure: 700 bar



Item	Stroke (mm)	Collapsed Height A (mm)	Outside Diameter D (mm)	Oil Capacity (cc)	Cylinder Effective Area (cm ²)	Weight (kg)
Push Capacity: 100 tn (911 kN)						
HG10002	50	182	165	664	132,7	28
HG10004	100	232	165	1 327	132,7	34
HG10006	150	282	165	1 991	132,7	40
HG10008	200	332	165	2 655	132,7	45
HG10010	250	382	165	3 318	132,7	52
HG10012	300	432	165	3 982	132,7	58
Push Capacity: 150 tn (1 348 kN)						
HG15002	50	196	205	981	196,3	46
HG15004	100	246	205	1 963	196,3	55
HG15006	150	296	205	2 978	196,3	64
HG15008	200	346	205	3 926	196,3	74
HG15010	250	396	205	4 907	196,3	82
HG15012	300	446	205	5 889	196,3	92
Push Capacity: 200 tn (1 815 kN)						
HG20002	50	216	235	1 322	264,4	55
HG20006	150	316	235	3 989	264,4	91
HG20008	200	366	235	5 289	264,4	110
HG20012	300	466	235	7 977	264,4	146
Push Capacity: 300 tn (3 132 kN)						
HG30002	50	312	310	2 281	456,2	184
HG30006	150	412	310	6 843	456,2	232
HG30012	300	562	310	13 685	456,2	303
Push Capacity: 400 tn (3 844 kN)						
HG40002	50	374	350	2 800	559,9	270
HG40006	150	474	350	8 399	559,9	330
HG40012	300	625	350	17 077	559,9	421
Push Capacity: 500 tn (5 015 kN)						
HG50002	50	419	400	3 653	730,6	401
HG50006	150	519	400	10 959	730,6	480
HG50012	300	669	400	21 919	730,6	599
Push Capacity: 600 tn (5 871 kN)						
HG60002	50	429	430	4 277	855,3	474
HG60006	150	529	430	12 829	855,3	565
HG60010	250	629	430	21 383	855,3	656
HG60012	300	679	430	25 662	855,3	701
Push Capacity: 800 tn (8 075 kN)						
HG80002	50	474	505	5 881	1 176,3	741
HG80006	150	574	505	17 649	1 176,3	868
HG80012	300	724	505	35 281	1 176,3	1 058
Push Capacity: 1 000 tn (10 062 kN)						
HG100002	50	564	560	7 329	1 465,7	1 062
HG100006	150	664	560	21 991	1 465,7	1 213
HG100012	300	814	560	43 966	1 465,7	1 439



HG10004



HG10008



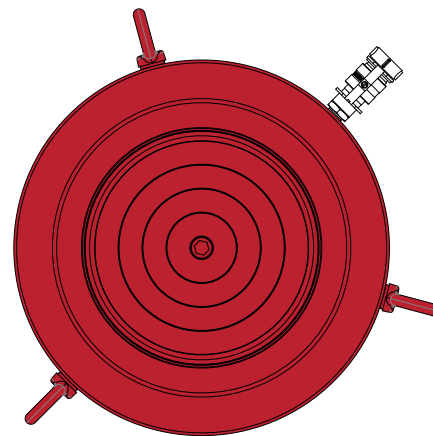
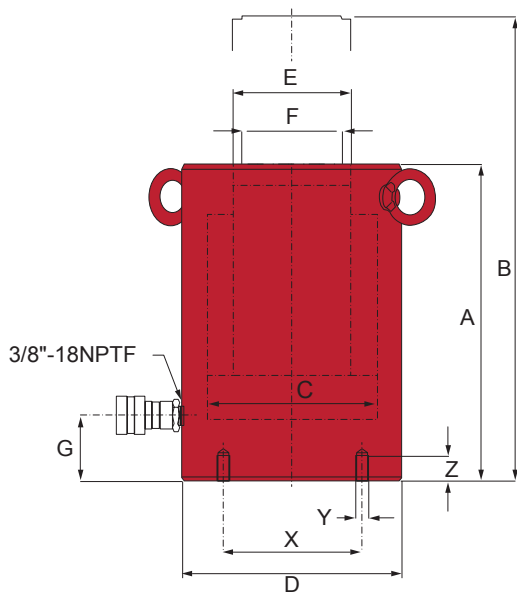
HG15006



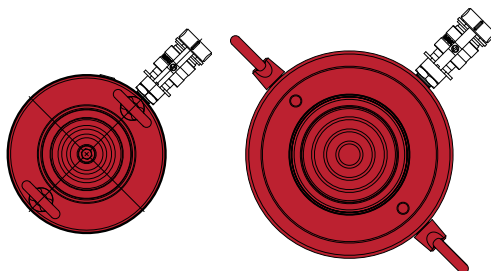
HG20002

HG SERIES TECHNICAL DETAILS

Push Capacity	Cylinder Bore Dia. C (mm)	Plunger Ø E (mm)	Saddle Ø F (mm)	Base to Inlet Port G (mm)	Base Mounting Holes		
					Bolt Circle X (mm)	Thread Y	Thread Depth Z (mm)
100 tn	130	95	75	54	95	M12	22
150 tn	158	110	94	61	130	M12	22
200 tn	183	135	113	67	165	M12	20
300 tn	241	197	177	101	180	M16	36
400 tn	267	216	196	114	205	M16	36
500 tn	305	248	228	114	250	M24	38
600 tn	330	267	247	114	275	M24	38
800 tn	387	317	297	149	330	M24	38
1 000 tn	432	343	323	174	375	M24	38



HG300 - HG1000



HG100

HG150

HG200