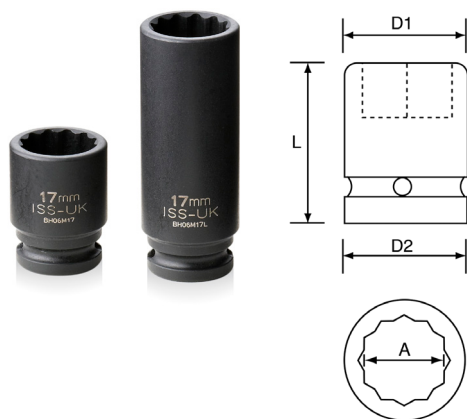


12-KULMAHYLSYT 3/8" VÄÄNTIÖ

A	Nimike		D2 mm	D1 mm	L mm	
	Vakio	Pitkä			Vakio	Pitkä
mm						
6	B06M06	B06M06L	19	11	30	63
7	B06M07	B06M07L	19	12	30	63
8	B06M08	B06M08L	19	13	30	63
9	B06M09	B06M09L	19	15	30	65
10	B06M10	B06M10L	19	16,5	30	65
11	B06M11	B06M11L	19	17,5	30	65
12	B06M12	B06M12L	20	19	30	65
13	B06M13	B06M13L	22	20	30	65
14	B06M14	B06M14L	22	21,5	32	65
15	B06M15	B06M15L	22	22	32	65
16	B06M16	B06M16L	22	24	32	65
17	B06M17	B06M17L	22	25	32	65
18	B06M18	B06M18L	22	26	34	65
19	B06M19	B06M19L	22	27,5	34	65
20	B06M20	B06M20L	22	28	34	65
21	B06M21	B06M21L	22	30	34	65
22	B06M22	B06M22L	23	32	34	65
23	B06M23	B06M23L	23	33	34	65
24	B06M24	B06M24L	23	34	34	65
25	B06M25	B06M25L	23	35	36	65
26	B06M26	B06M26L	23	36	36	65
27	B06M27	B06M27L	23	38	36	65

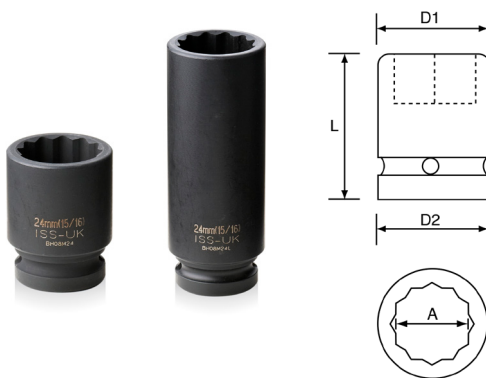
A	Nimike		D2 mm	D1 mm	L mm	
	Vakio	Pitkä			Vakio	Pitkä
tuuma						
1/4"	B0604	B0604L	19	11	30	63
5/16"	B0605	B0605L	19	13	30	63
3/8"	B0606	B0606L	19	15	30	65
7/16"	B0607	B0607L	19	17,5	30	65
1/2"	B0608	B0608L	20	20	30	65
9/16"	B0609	B0609L	22	21,5	32	65
5/8"	B0610	B0610L	22	24	32	65
11/16"	B0611	B0611L	22	25,5	32	65
3/4"	B0612	B0612L	22	27,5	34	65
13/16"	B0613	B0613L	22	30	34	65
7/8"	B0614	B0614L	23	32	34	65
15/16"	B0615	B0615L	23	34	34	65
1"	B0616	B0616L	23	35,5	34	65
1 1/16"	B0617	B0617L	23	38	34	65



12-KULMAHYLSYT 1/2" VÄÄNTIÖ

A	Nimike		D2 mm	D1 mm	L mm	
	Vakio	Pitkä			Vakio	Pitkä
mm						
8	B08M08	B08M08L	25	15	38	83
9	B08M09	B08M09L	25	16	38	83
10	B08M10	B08M10L	25	17,5	38	83
11	B08M11	B08M11L	25	19	38	83
12	B08M12	B08M12L	25	20	38	83
13	B08M13	B08M13L	25	21	38	83
14	B08M14	B08M14L	25	22,5	38	83
15	B08M15	B08M15L	30	23,5	38	83
16	B08M16	B08M16L	30	25	38	83
17	B08M17	B08M17L	30	26,5	38	83
18	B08M18	B08M18L	30	27,5	40	83
19	B08M19	B08M19L	30	29	40	83
20	B08M20	B08M20L	30	30	40	83
21	B08M21	B08M21L	30	31	40	83
22	B08M22	B08M22L	30	32,5	40	90
23	B08M23	B08M23L	30	34	40	90
24	B08M24	B08M24L	30	35	45	90
25	B08M25	B08M25L	30	36	45	90
26	B08M26	B08M26L	30	38	50	90
27	B08M27	B08M27L	30	39	50	90
28	B08M28	B08M28L	30	40	50	90
29	B08M29	B08M29L	30	41	50	90
30	B08M30	B08M30L	30	42,5	50	90
31	B08M31	B08M31L	30	44	50	90
32	B08M32	B08M32L	30	45	50	90
33	B08M33	B08M33L	30	46,5	50	90
34	B08M34	B08M34L	30	48	50	90
35	B08M35	B08M35L	30	49,5	50	90
36	B08M36	B08M36L	30	50,5	50	90
38	B08M38	B08M38L	38	53	50	90

A	Nimike		D2 mm	D1 mm	L mm	
	Vakio	Pitkä			Vakio	Pitkä
tuuma						
1/4"	B0804	B0804L	25	13	38	83
5/16"	B0805	B0805L	25	15	38	83
3/8"	B0806	B0806L	25	17	38	83
7/16"	B0807	B0807L	25	19	38	83
1/2"	B0808	B0808L	25	21	38	83
9/16"	B0809	B0809L	25	22,5	38	83
5/8"	B0810	B0810L	28	25	38	83
11/16"	B0811	B0811L	30	27	38	83
3/4"	B0812	B0812L	30	29	40	83
13/16"	B0813	B0813L	30	31	40	83
7/8"	B0814	B0814L	30	32,5	40	90
15/16"	B0815	B0815L	30	35	45	90
1"	B0816	B0816L	30	37	45	90
1 1/16"	B0817	B0817L	30	39	50	90
1 1/8"	B0818	B0818L	30	41	50	90
1 3/16"	B0819	B0819L	30	42,5	50	90
1 1/4"	B0820	B0820L	30	45	50	90
1 5/16"	B0821	B0821L	30	46,5	50	90
1 3/8"	B0822	B0822L	30	49,5	50	90
1 7/16"	B0823	B0823L	30	51	50	90
1 1/2"	B0824	B0824L	38	53	50	90

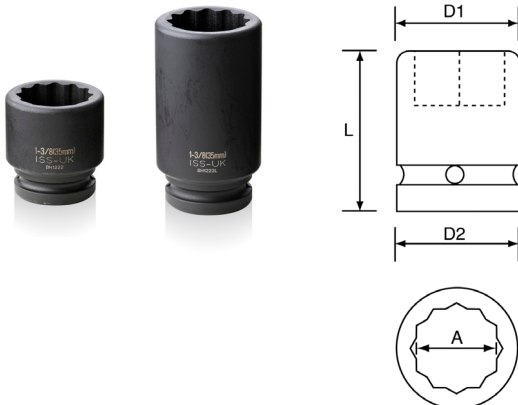




12-KULMAHYLSYT 3/4" VÄÄNTIÖ

A	Nimike		D2 mm	D1 mm	L mm	
	Vakio	Pitkä			Vakio	Pitkä
mm						
13	B12M13	B12M13L	44	24,5	50	95
14	B12M14	B12M14L	44	25,5	50	95
15	B12M15	B12M15L	44	27	50	95
16	B12M16	B12M16L	44	28	50	95
17	B12M17	B12M17L	44	31	50	95
18	B12M18	B12M18L	44	32	50	95
19	B12M19	B12M19L	44	33	50	95
20	B12M20	B12M20L	44	34	50	95
21	B12M21	B12M21L	44	35	50	95
22	B12M22	B12M22L	44	37	50	95
23	B12M23	B12M23L	44	38	50	95
24	B12M24	B12M24L	44	39	50	95
25	B12M25	B12M25L	44	41	50	95
26	B12M26	B12M26L	44	42	50	95
27	B12M27	B12M27L	44	43	54	95
28	B12M28	B12M28L	44	44	54	95
29	B12M29	B12M29L	44	45	54	95
30	B12M30	B12M30L	44	47	54	95
31	B12M31	B12M31L	44	48	56	95
32	B12M32	B12M32L	44	49	56	95
33	B12M33	B12M33L	44	51	56	95
34	B12M34	B12M34L	44	52	56	95
35	B12M35	B12M35L	44	53	56	95
36	B12M36	B12M36L	44	54	56	95
37	B12M37	B12M37L	44	56	58	95
38	B12M38	B12M38L	44	57	58	95
39	B12M39	B12M39L	44	58	58	95
40	B12M40	B12M40L	44	59	58	95
41	B12M41	B12M41L	44	60	58	95
43	B12M43	B12M43L	44	63,5	63	95
46	B12M46	B12M46L	44	67	63	100
50	B12M50	B12M50L	54	71	72	100
55	B12M55	B12M55L	54	78	74	105
56	B12M56	B12M56L	54	79	74	105
60	B12M60	B12M60L	54	84	75	105
65	B12M65	B12M65L	54	90	78	105
70	B12M70	B12M70L	54	96	80	105
75	B12M75	B12M75L	64	102	83	108

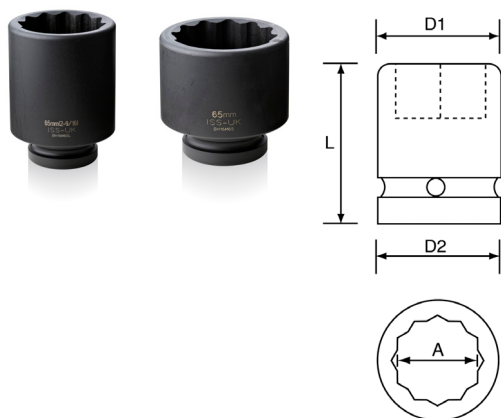
A	Nimike		D2 mm	D1 mm	L mm	
	Vakio	Pitkä			Vakio	Pitkä
tuuma						
1/2"	B1208	B1208L	44	24,5	50	95
9/16"	B1209	B1209L	44	25,5	50	95
5/8"	B1210	B1210L	44	28	50	95
11/16"	B1211	B1211L	44	31,5	50	95
3/4"	B1212	B1212L	44	33	50	95
13/16"	B1213	B1213L	44	35	50	95
7/8"	B1214	B1214L	44	37	50	95
15/16"	B1215	B1215L	44	39	50	95
1"	B1216	B1216L	44	41	50	95
1 1/16"	B1217	B1217L	44	43	54	95
1 1/8"	B1218	B1218L	44	44,5	54	95
1 3/16"	B1219	B1219L	44	47	54	95
1 1/4"	B1220	B1220L	44	49	56	95
1 5/16"	B1221	B1221L	44	51	56	95
1 3/8"	B1222	B1222L	44	53	56	95
1 7/16"	B1223	B1223L	44	55	56	95
1 1/2"	B1224	B1224L	44	57	58	95
1 9/16"	B1225	B1225L	44	59	58	95
1 5/8"	B1226	B1226L	44	61	58	95
1 11/16"	B1227	B1227L	44	63,5	63	95
1 3/4"	B1228	B1228L	44	64,5	63	95
1 13/16"	B1229	B1229L	44	67	63	100
1 7/8"	B1230	B1230L	44	68	68	100
1 15/16"	B1231	B1231L	44	70	70	100
2"	B1232	B1232L	54	72	72	100
2 1/16"	B1233	B1233L	54	74	72	100
2 1/8"	B1234	B1234L	54	77	72	100
2 3/16"	B1235	B1235L	54	78,5	74	105
2 1/4"	B1236	B1236L	54	80	74	105
2 5/16"	B1237	B1237L	54	82	75	105
2 3/8"	B1238	B1238L	54	84	75	105
2 7/16"	B1239	B1239L	54	86	75	105
2 1/2"	B1240	B1240L	54	88	75	105
2 9/16"	B1241	B1241L	54	90	78	105



12-KULMAHYLSYT 1" VÄÄNTIÖ

A	Nimike		D2 mm	D1 mm	L mm	
	Vakio	Pitkä			Vakio	Pitkä
mm						
19	B16M19	B16M19L	54	36	60	100
21	B16M21	B16M21L	54	38	60	100
22	B16M22	B16M22L	54	40	60	100
24	B16M24	B16M24L	54	42	60	100
27	B16M27	B16M27L	54	46	60	100
28	B16M28	B16M28L	54	47	62	100
30	B16M30	B16M30L	54	50	62	100
32	B16M32	B16M32L	54	52	62	100
33	B16M33	B16M33L	54	53	62	100
34	B16M34	-	54	55	62	-
35	B16M35	B16M35L	54	56	65	100
36	B16M36	B16M36L	54	57	67	100
38	B16M38	B16M38L	54	60	67	100
41	B16M41	B16M41L	54	63	70	100
46	B16M46	B16M46L	58	70	76	100
50	B16M50	B16M50L	62	75	80	100
55	B16M55	B16M55L	62	81	84	100
60	B16M60	B16M60L	62	87	87	120
65	B16M65	B16M65L	62	93	90	125
70	B16M70	B16M70L	62	100	96	125
75	B16M75	B16M75L	86	106	98	135
80	B16M80	B16M80L	86	112	100	135
85	B16M85	B16M85L	86	118	105	140
90	B16M90	B16M90L	86	125	105	140
95	B16M95	B16M95L	86	131	115	140
100	B16M100	B16M100L	86	137	115	140
105	B16M105	B16M105L	95	143	115	155
110	B16M110	-	95	149	115	-
115	B16M115	-	95	155	115	-

A	Nimike		D2 mm	D1 mm	L mm	
	Vakio	Pitkä			Vakio	Pitkä
tuuma						
5/8"	B1610	B1610L	54	32	60	100
11/16"	B1611	B1611L	54	34	60	100
3/4"	B1612	B1612L	54	36	60	100
13/16"	B1613	B1613L	54	38	60	100
7/8"	B1614	B1614L	54	39	60	100
15/16"	B1615	B1615L	54	42	60	100
1"	B1616	B1616L	54	44	60	100
1 1/16"	B1617	B1617L	54	46	60	100
1 1/8"	B1618	B1618L	54	48	62	100
1 3/16"	B1619	B1619L	54	50	62	100
1 1/4"	B1620	B1620L	54	52	62	100
1 5/16"	B1621	B1621L	54	54	62	100
1 3/8"	B1622	B1622L	54	56	65	100
1 7/16"	B1623	B1623L	54	58	67	100
1 1/2"	B1624	B1624L	54	60	67	100
1 9/16"	B1625	B1625L	54	62	70	100
1 5/8"	B1626	B1626L	54	63,5	70	100
1 11/16"	B1627	B1627L	54	66	74	100
1 3/4"	B1628	B1628L	54	67,5	74	100
1 13/16"	B1629	B1629L	58	70	76	100
1 7/8"	B1630	B1630L	58	72	76	100
1 15/16"	B1631	B1631L	58	74	80	100
2"	B1632	B1632L	62	76	80	100
2 1/16"	B1633	B1633L	62	77,5	84	100
2 1/8"	B1634	B1634L	62	80	84	100
2 3/16"	B1635	B1635L	62	81,5	84	100
2 1/4"	B1636	B1636L	62	84	84	105
2 5/16"	B1637	B1637L	62	86	87	105
2 3/8"	B1638	B1638L	62	87	87	120
2 7/16"	B1639	B1639L	62	89	87	120
2 1/2"	B1640	B1640L	62	91	87	120
2 9/16"	B1641	B1641L	62	93	90	125
2 5/8"	B1642	B1642L	62	95	92	125
2 11/16"	B1643	B1643L	62	97	92	125
2 3/4"	B1644	B1644L	62	100	96	125
2 13/16"	B1645	B1645L	62	102	96	125
2 7/8"	B1646	B1646L	86	104	96	125
2 15/16"	B1647	B1647L	86	105	98	135
3"	B1648	B1648L	86	107	100	135
3 1/8"	B1650	B1650L	86	111	100	135
3 3/8"	B1654	B1654L	86	119	105	140
3 1/2"	B1656	B1656L	86	124	105	140
3 3/4"	B1660	B1660L	86	131	115	140
3 7/8"	B1662	B1662L	86	135	115	140
4 1/4"	B1668	B1668L	95	147	115	155



12-KULMAHYLSYT 1 1/2" VÄÄNTIÖ

A	Nimike Vakio	D2 mm	D1 mm	L mm Vakio
mm				
30	B24M30	86	56	78
32	B24M32	86	58	78
36	B24M36	86	64	78
38	B24M38	86	66	80
41	B24M41	86	70	80
46	B24M46	86	76	84
50	B24M50	86	81	87
55	B24M55	86	87	90
60	B24M60	86	94	95
65	B24M65	86	100	100
70	B24M70	86	106	105
75	B24M75	86	112	108
80	B24M80	86	119	115
85	B24M85	86	125	118
90	B24M90	86	131	123
95	B24M95	95	137	123
100	B24M100	95	144	130
105	B24M105	95	154	130
110	B24M110	95	157	135
115	B24M115	95	164	140
120	B24M120	95	167	140

A	Nimike Vakio	D2 mm	D1 mm	L mm Vakio
tuuma				
1 3/16"	B2419	86	56	78
1 1/4"	B2420	86	58	78
1 5/16"	B2421	86	60	78
1 3/8"	B2422	86	64	78
1 7/16"	B2423	86	64	78
1 1/2"	B2424	86	66	80
1 9/16"	B2425	86	68	80
1 5/8"	B2426	86	70	80
1 11/16"	B2427	86	73	82
1 3/4"	B2428	86	75	84
1 13/16"	B2429	86	76	84
1 7/8"	B2430	86	78	87
1 15/16"	B2431	86	80	87
2"	B2432	86	82	87
2 1/16"	B2433	86	83	87
2 1/8"	B2434	86	86	90
2 3/16"	B2435	86	88	90
2 1/4"	B2436	86	90	95
2 5/16"	B2437	86	93	95
2 3/8"	B2438	86	94	95
2 7/16"	B2439	86	96	100
2 1/2"	B2440	86	98	100
2 9/16"	B2441	86	100	100
2 5/8"	B2442	86	102	105
2 11/16"	B2443	86	104	105
2 3/4"	B2444	86	106	105
2 13/16"	B2445	86	108	108
2 7/8"	B2446	86	110	108
2 15/16"	B2447	86	112	108
3"	B2448	86	113	108
3 1/16"	B2449	86	115	115
3 1/8"	B2450	86	118	115
3 3/8"	B2454	86	126	118
3 1/2"	B2456	86	129	123
3 3/4"	B2460	95	137	123
3 7/8"	B2462	95	144	103
4 1/4"	B2468	95	154	135

