

HYTORC®

STEALTH



The first two-in-one torque/tension tool

- Twin cylinder
- 360°X180° Uni-swivel
- Monobloc housing made in TITAL 399
- Very low scatter
- Click-in Cassette

Perfect tool to work with the new LoadISC bolting system without a support point.

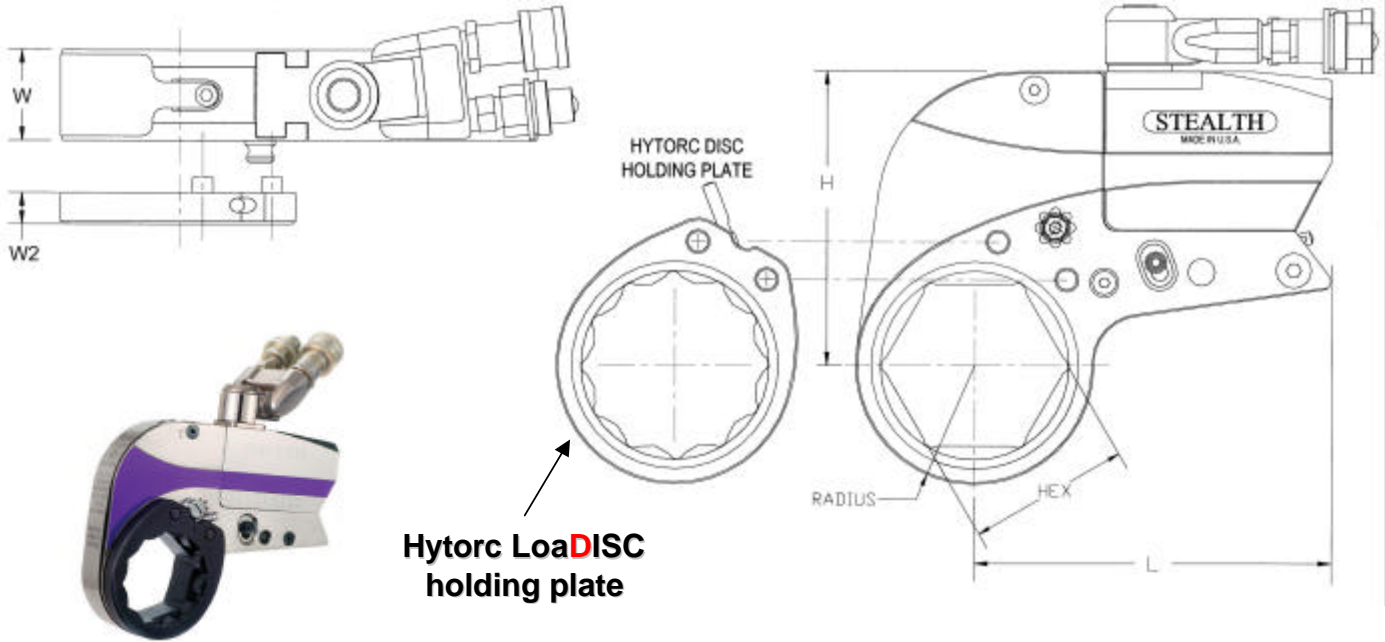
The Only Twin-speed Hydraulic Wrench!

STEALTH Series	ST-2	ST-4	ST-8	ST-14	ST-22	ST-36
Min. Torque [Nm]	380	788	1578	2787	4313	6662
Max. Torque [Nm]	2712	5437	10 887	19 230	29 654	47 069
Hex [mm]	27 – 65	36 – 85	50 – 100	70 – 120	75 – 155	90 – 200
Radius [mm]	27.4 – 43.9	44 – 61.7	47 – 72.8	64.3 – 87.4	64.5 – 111.5	75.7 – 143.3
Height [mm]	106.9	137.9	162.9	201.7	234.4	273.8
Length [mm]	140.5	167.1	203.2	237	275.6	321.6
Width [mm]	31.8	42.2	52.8	63.5	73.9	86.1



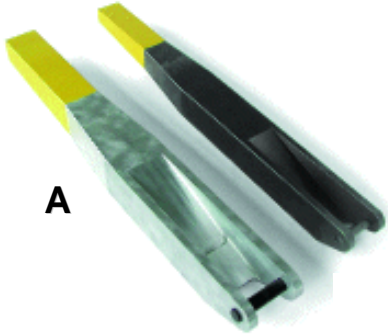


STEALTH data



Hytorc Load**DISC** holding plate

STEALTH Series	ST-2	ST-4	ST-8	ST-14	ST-22	ST-36
Min. Torque [Nm]	380	788	1578	2787	4313	6662
Max. Torque [Nm]	2712	5437	10 887	19 230	29 654	47 069
L [mm]	140.5	167.1	203.2	237	275.6	321.6
H [mm]	106.9	137.9	162.6	201.7	234.4	278.8
W [mm]	31.8	42.2	52.8	63.5	73.9	86.1
W2 [mm]	10–12.5	10.4–14	12.7–14	14–21	21–25.4	25.4–35
Ø Bolt	M16– M24	M27– M36	M39–M45	M48–M60	M48–M64	M48–M64
Cassette [mm]	27–65	36–85	50–100	70–120	75–155	90–200
Total average weight [kg]	2.4	5.3	9.3	16.6	19.5	31.3



A



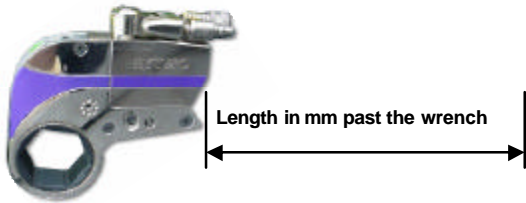
B

Accessories available for STEALTH Series

Extend your external support and turn your hex wrench into a square drive for specific bolting jobs.

A – Extended reaction arm

B – Male hex to male square adapter, square link to adapt standard sockets

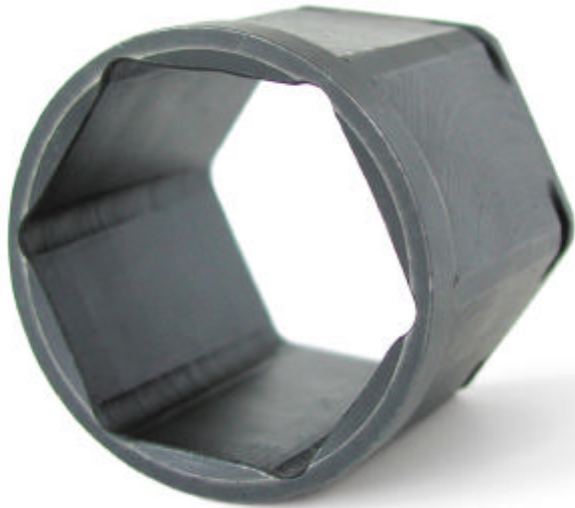


Square link, inch size

Hex that fits into the hex cassette

Reference	Wrench	Length in mm past the wrench
ST2-ALC	2XLCT	380
ST4-ALC	4XLCT	450
ST8-ALC	8XLCT	450
ST14-ALC	14XLCT	530
ST18-ALC	18XLCT	530
ST30-ALC	30XLCT	530

Reference	Wrench	Hex
ST2-SQ012	2XLCT -3/4"	19 a 65mm
ST4-SQ100	4XLCT – 1"	36 a 80mm
ST8-SQ108	8XLCT – 1"1/2	46 a 95mm
ST14-SQ108	14XLCT – 1"1/2	60 a 120mm
ST18-SQ208	18XLCT – 2"1/2	75 a 140mm
ST30-SQ208	30XLCT – 2"1/2	90 a 140mm
Your order must include hex size		



ST-2

Reference	Hex [mm]	Reduction [mm]
SLV32/30-2	32mm	30mm
SLV36/32-2	36mm	32mm
SLV41/36-2	41mm	36mm
SLV46/41-2	46mm	41mm
SLV50/46-2	50mm	46mm
SLV55/50-2	55mm	50mm
SLV60/55-2	60mm	55mm
Max. torque 2200 Nm		

**Other sizes available for
STEALTH Series**

On request!

Accessories available for STEALTH Series

Hex sleeve

ST-4

Reference	Hex [mm]	Reduction [mm]
SLV36/32-4	36mm	32mm
SLV41/36-4	41mm	36mm
SLV46/41-4	46mm	41mm
SLV50/46-4	50mm	46mm
SLV55/50-4	55mm	50mm
SLV60/55-4	60mm	55mm
SLV65/60-4	65mm	60mm
SLV70/65-4	70mm	65mm
SLV75/70-4	75mm	70mm
SLV80/75-4	80mm	75mm
Max torque 5600 Nm		

ST-8

Reference	Hex [mm]	Reduction [mm]
SLV41/36-8	41mm	36mm
SLV46/41-8	46mm	41mm
SLV50/46-8	50mm	46mm
SLV55/50-8	55mm	50mm
SLV60/55-8	60mm	55mm
SLV65/60-8	65mm	60mm
SLV70/65-8	70mm	65mm
SLV75/70-8	75mm	70mm
SLV80/75-8	80mm	75mm
Max. torque 10 000 Nm		



STEALTH data

	HEX Size	#1	#2	#3	#4	#5	#6	#7	#8	#9	#10	#11
ST-2	MM Up to	27MM	32MM	36MM	41MM	46MM	50MM	55MM	60MM	65MM		
	Inch size up to	1"1/8	1"1/4	1"7/16	1"5/8	1"13/16	2"	2"3/16	2"3/8	2"9/16		
	Radius	27.4	27.4	30	32.7	35.5	38.4	41	44	46.7		
	MM Up to	36MM	41MM	46MM	50MM	55MM	60MM	65MM	70MM	75MM	80MM	85MM
ST-4	Inch size up to	1"7/16	1"5/8	1"13/16	2"	2"3/16	2"3/8	2"9/16	2"3/4	2"15/16	3"1/8	3"3/8
	Radius	33	35.9	38.6	41.4	44.2	47	49.8	52.6	55.3	58.4	61.7
	MM Up to	50MM	55MM	60MM	65MM	70MM	75MM	80MM	85MM	90MM	95MM	100MM
ST-8	Inch size up to	2"	2"3/16	2"3/8	2"9/16	2"3/4	2"15/16	3"1/8	3"3/8	3"1/2	3"3/4	3"7/8
	Radius	44.2	47	49.7	52.6	55.4	58.4	61.2	64.2	67	70.1	72.9
	MM Up to	70MM	75MM	80MM	85MM	90MM	95MM	100MM	105MM	110MM	120MM	
ST-14	Inch size up to	2"3/4	2"15/16	3"1/8	3"3/8	3"1/2	3"3/4	3"7/8	4"1/8	4"1/4	4"5/8	
	Radius	58.4	61.2	64.2	67.3	69.8	73.1	75.7	78.7	81.5	87.4	
	MM Hasta	75MM	80MM	90MM	100MM	110MM	120MM	130MM	135MM	145MM	155MM	
ST-22	Inch size up to	2"15/16	3"1/8	3"1/2	3"7/8	4"1/4	4"5/8	5"	5"3/8	5"3/4	6"1/8	
	Radius	64.5	67.3	73.1	79	84.8	90.4	96	100	106	111.5	
	MM Up to	90MM	100MM	110MM	120MM	130MM	135MM	145MM	155MM	165MM	175MM	180MM
ST-36	Inch size up to	3"1/2	3"7/8	4"1/4	4"5/8	5"	5"3/8	5"3/4	6"1/8	6"1/2	6"1/2	6"1/2
	Radius	75.7	81.5	87.4	93.2	98.8	102.9	108.4	114	122.3	127.8	133.3



STEALTH

