



Unmatched resistance and duration!

- Adjustable Reaction Arm
- 360° x 180° Uni-swivel
- The most compact tool in the world
- Guaranteed reliability
- Anti-backlash pawl

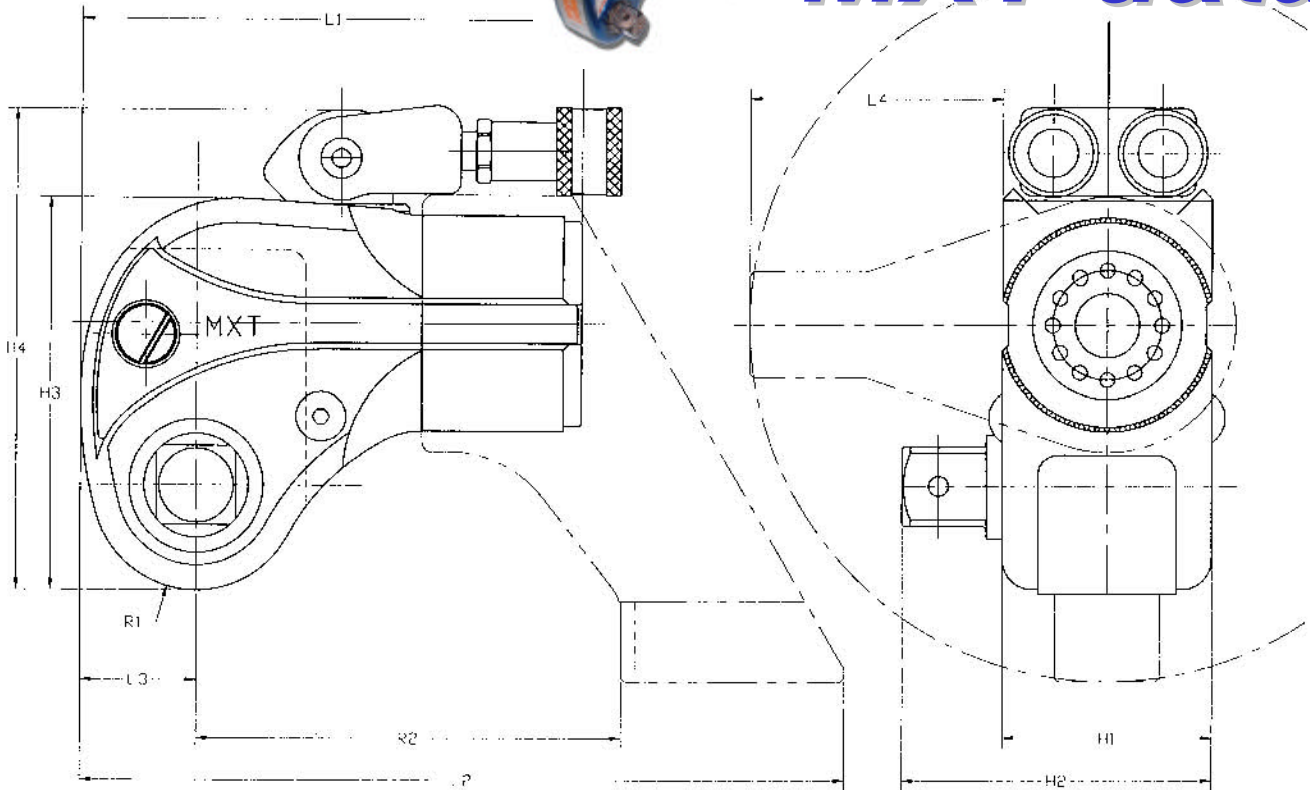
(providing better, faster and safer tensioning, according to BASF tests No. 202.1494)

The largest selling hydraulic wrench in the world

MXT Series	MXT-1	MXT-3	MXT-5	MXT-10	MXT-20	MXT-35
Min. Torque [Nm]	271	651	1132	2379	4013	7320
Max. Torque [Nm]	1817	4379	7578	15 617	26 787	50 293
Drive	¾"	1"	1"1/2	1"1/2	2"1/2	2"1/2
Radius [mm]	24.89	28.73	39.62	49.53	66.04	73.66
Housing	TITAL399	TITAL399	TITAL399	TITAL399	TITAL399	TITAL399
Accuracy	±3%	±3%	±3%	±3%	±3%	±3%
Reaction arm	360°	360°	360°	360°	360°	360°
Weight [kg]	2.25	4.86	8.24	14.76	25.65	54.55



MXT data



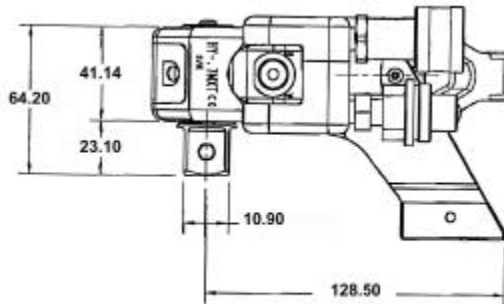
MXT Series	MXT-1	MXT-3	MXT-5	MXT-10	MXT-20	MXT-35
Min. Torque [Nm]	271	651	1132	2379	4013	7320
Max. Torque [Nm]	1817	4379	7578	15 617	26 787	50 293
Drive	¾"	1"	1"1/2	1"1/2	2"1/2	2"1/2
L1 [mm]	122.25	159.72	190.50	239.73	285.75	353.42
L2 [mm]	178.31	243.61	284.99	355.88	444.50	538.99
L3 [mm]	27.69	36.93	44.45	55.14	57.15	81.69
L4 [mm]	61.93	80.90	98.43	120	146.05	179.02
H1 [mm]	50.19	66.80	76.20	100.33	120.22	147.83
H2 [mm]	71.88	98.88	123.52	148.84	180.98	218.82
H3 [mm]	92.08	125.15	146.05	199.14	223.85	276.94
H4 [mm]	124.90	155.19	183.30	223.50	266.04	313.86
R1 [mm]	24.89	28.73	39.62	49.53	66.04	73.66
R2 [mm]	97.79	135.38	156.21	195.33	260.35	322.07
Weight [kg]	2.25	4.86	8.24	14.76	25.65	54.55



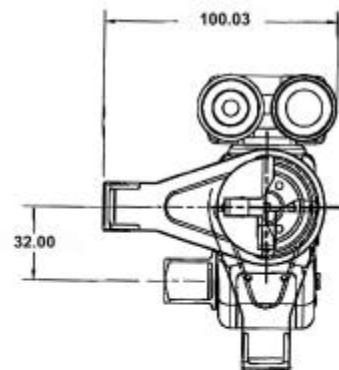
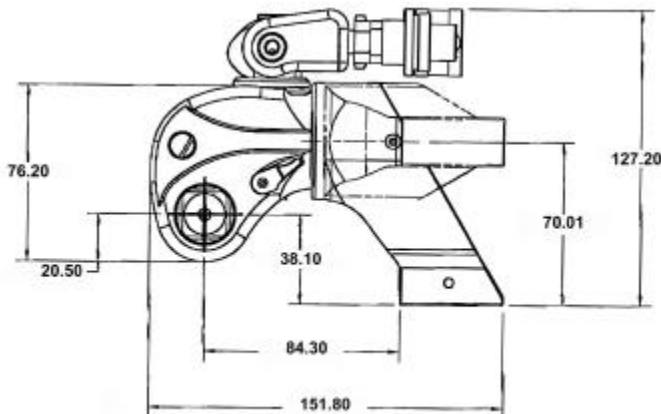
MXT .7

Min. torque [Nm]	160
Max. torque [Nm]	1114
Drive	3/4"
Radius [mm]	20.50
Length [mm]	151.80
Width [mm]	100.03
Height [mm]	127.20
Weight [Kg]	1.20
Reaction arm	360°
Accuracy	±3%
Housing	TITAL 399

Low scatter wrench for low torque



HY-.7MXT
Cotes en mm

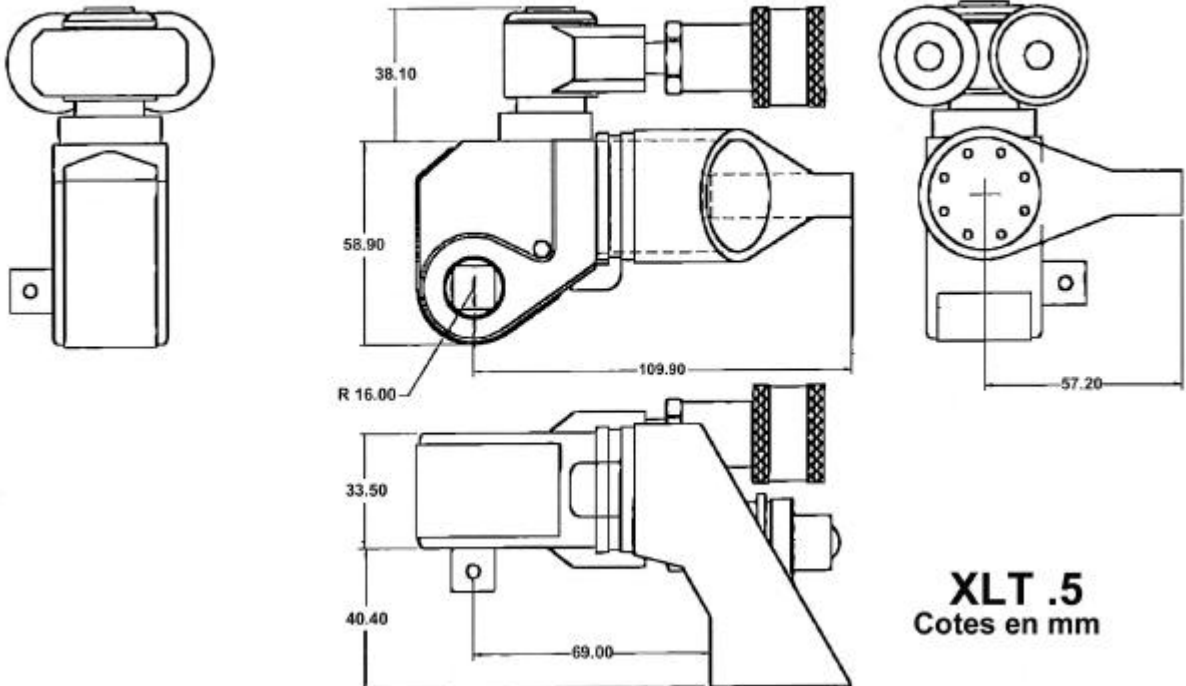




XLT .5

Min. torque [Nm]	75
Max. torque [Nm]	538
Drive	3/4"
Radius [mm]	16
Length [mm]	125.90
Width [mm]	73.90
Height [mm]	97
Weight [Kg]	0.90
Reaction arm	360°
Accuracy	±3%
Housing	TITAL 399

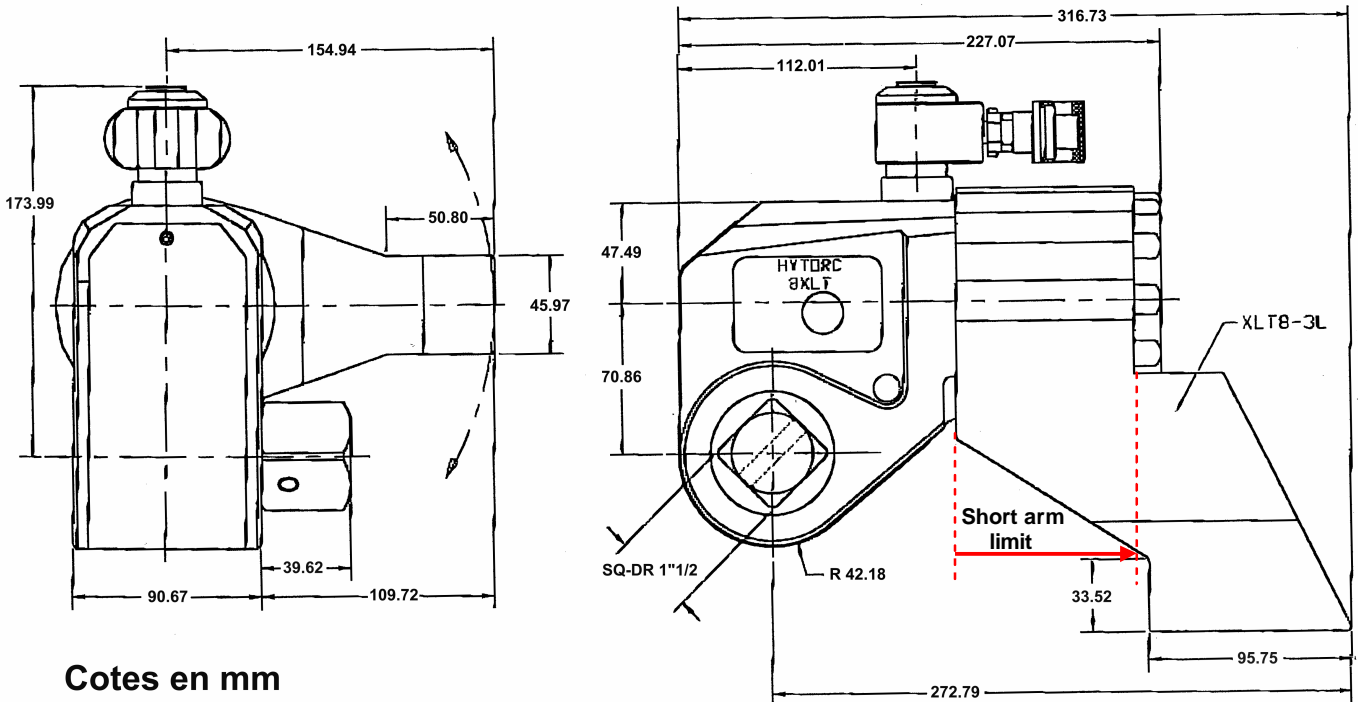
Low scatter wrench for low torque





XLT 8	
Min. torque [Nm]	1622
Max. torque [Nm]	10 845
Drive	1"1/2
Radius [mm]	43.18
Length [mm]	316.73
Width [mm]	200.39
Height [mm]	213.61
Weight [Kg]	12
Reaction arm	360°
Accuracy	±3%
Housing	TITAL 399

LIEBHERR special wrench for B.T.P. jobs



Important: your order must specify arm type, short or long.

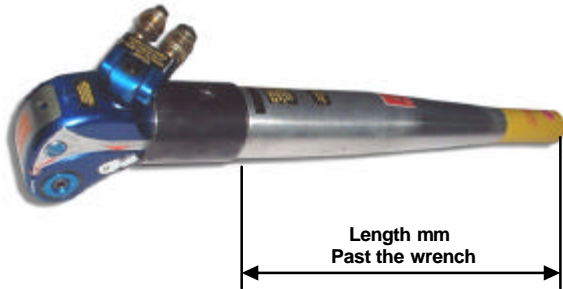


Available MXT accessories:

Enables you to stretch external support

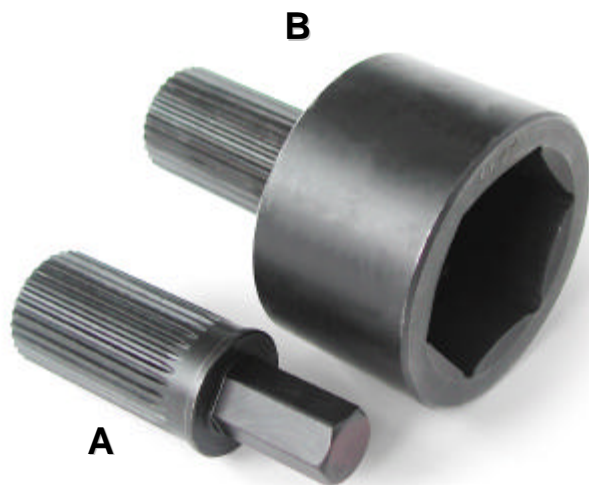
A – Extended reaction arm

B – Reaction sleeve



Reference	Wrench	Length [mm] past the wrench
MXT1-ALC	MXT-1	500
MXT3-ALC	MXT-3	500
MXT5-ALC	MXT-5	500
MXT10-ALC	MXT-10	500

Reference	Wrench
MXT.7-SSLV	MXT-.7
MXT1-SSLV	MXT-1
MXT3-SSLV	MXT-3
MXT5-SSLV	MXT-5
MXT10-SSLV	MXT-10



Available MXT accessories :

Enables you to gain space and and improved reaction by lowering the gravity center

A – Hex drive

B – Direct drive socket

Reference	Wrench
XLT1-DDSxx*	MXT-1
XLT3-DDSxx*	MXT-3
XLT5-DDSxx*	MXT-5
XLT10-DDSxx*	MXT-10
* Indicate hex size	

A – Available Hex Drives inch size and special sizes

Reference	Wrench	Hex	Reference	Wrench	Hex	Reference	Wrench	Hex
XLT1-HX17	MXT-1	17mm	XLT3-HX27	MXT-3	27m m	XLT5-HX32	MXT-5	32mm
XLT1-HX19	MXT-1	19mm	XLT3-HX30	MXT-3	30m m	XLT5-HX36	MXT-5	36mm
XLT1-HX22	MXT-1	22mm	XLT3-HX32	MXT-3	32m m	XLT5-HX41	MXT-5	41mm
XLT1-HX24	MXT-1	24mm	XLT3-HX36	MXT-3	36m m	XLT5-HX46	MXT-5	46mm
XLT1-HX27	MXT-1	27mm	XLT3-HX41	MXT-3	41m m	XLT5-HX50	MXT-5	50mm
XLT1-HX30	MXT-1	30mm	XLT3-HX46	MXT-3	46m m	XLT5-HX55	MXT-5	55mm
XLT1-HX32	MXT-1	32mm	XLT5-HX17	MXT-5	17m m	XLT10-HX32	MXT-10	32mm
XLT1-HX36	MXT-1	36mm	XLT5-HX19	MXT-5	19m m	XLT10-HX36	MXT-10	36mm
XLT3-HX17	MXT-3	17mm	XLT5-HX22	MXT-5	22m m	XLT10-HX41	MXT-10	41mm
XLT3-HX19	MXT-3	19mm	XLT5-HX24	MXT-5	24m	XLT10-HX46	MXT-10	46mm