

HYTORC®

AVANTI



Standard



LoaDISC™



The multi-purpose tool that combines a torque tool and a tension tool in one wrench!

- 360°x 180° hose swivel
- Lateral arm makes tool 360° adjustable
- Torsion-free Monobloc housing
- Anti-backlash pawl (which allows better, faster and safer bolting as per BASF testings No. 202.1494)

The ideal tool to work with the new LoaDISC bolting system without a resistance point.

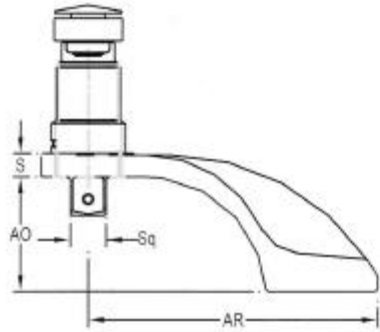
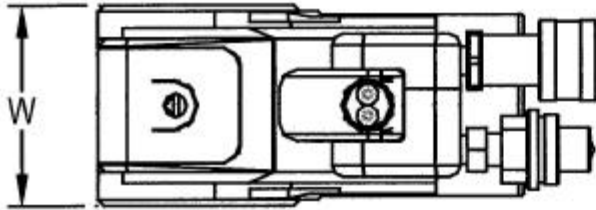
Plant Engineering Product of the Year 2003 Award

Super lightweight, heavy-duty Hydraulic Wrench!

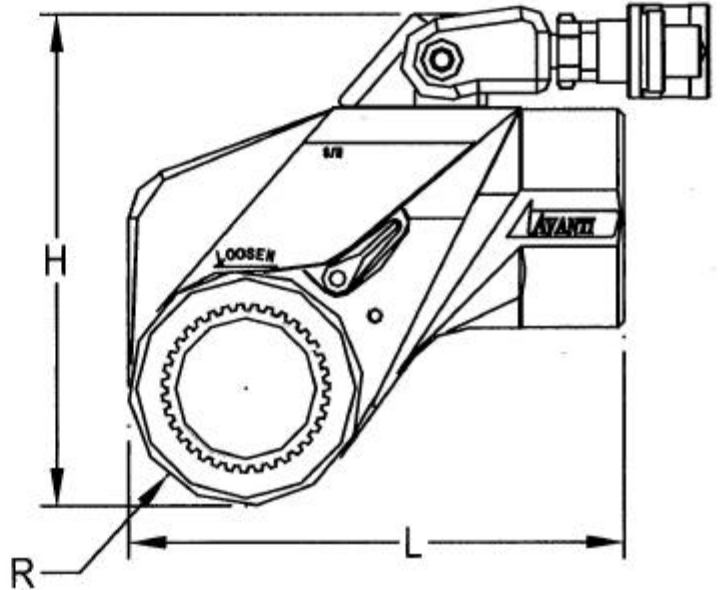
AVANTI Series	AV-1	AV-3	AV-5	AV-8	AV-10	AV-20	AV-35
Min. Torque [Nm]	266	553	998	1500	1927	3760	6580
Max. Torque [Nm]	1741	3878	6907	10 523	13 669	26 193	46 172
Drive	¾"	1"	1"1/2	1"1/2	1"1/2	2"1/2	2"1/2
Radius [mm]	28.70	38.10	45.72	49.75	57.20	66.00	81.00
Housing	TITAL399	TITAL399	TITAL399	TITAL399	TITAL399	TITAL399	TITAL399
Accuracy	±3%	±3%	±3%	±3%	±3%	±3%	±3%
Reaction arm	360°	360°	360°	360°	360°	360°	360°
Weight [kg]* <small>* Weight without reaction arm</small>	1.49	3.20	4.41	6.17	9.41	15.84	30.24



AVANTI data



CARRE CONDUCTEUR
& BRAS DE REACTION AVANTI & XXI



AVANTI Series

	AV-1	AV-3	AV-5	AV-8	AV-10	AV-20	AV-35
Min. Torque [Nm]	266	553	998	1500	1927	3760	6580
Max. Torque [Nm]	1741	3878	6907	10 523	13 669	26 193	46 172
Drive	3/4"	1"	1"1/2	1"1/2	1"1/2	2"1/2	2"1/2
Radius [mm]	28.70	38.10	45.72	49.75	57.20	66.00	81.00
L [mm]	119.60	156.00	186.90	209.30	233.70	278.10	341.60
H [mm]	120.90	157.20	181.40	200.70	224.80	259.60	310.40
W [mm]	55.40	73.70	85.90	98.00	110.50	128.80	158.20
S [mm]	12.70	19.10	20.30	22.40	25.40	30.50	36.80
AO [mm]	60.50	80.50	97.30	116.30	116.30	146.10	176.00
AR [mm]	154.7	206.2	246.9	259.8	308.6	370.3	446.3
Wrench weight [kg]	1.49	3.20	4.41	6.17	9.41	15.84	30.24
Arm weight [kg]	0.60	1.70	2.70	3.50	5.30	8.40	19.00



AVANTI

